

H125/H150/H200M/H200/H300 Series Carbon Filter Systems



The H-Series Family H125, H150, H200, H200M, H300

Carbon Filtration Systems

Activated carbon does an excellent job in reducing/removing tastes, odors and dissolved organic chemicals from water supplies including chlorine. Additional grades of carbon are available for specific contaminant applications. Activated carbon requires periodic backwashing of the filter bed.

Water quality parameters: water to be filtered should be free of oil, suspended matter and iron for maximum service life. Carbon filters can operate in wide range of pH levels


Hellenbrand[®]

H125/H150/H200M/H200/H300 Carbon Filter Systems

MODEL	PIPE SIZE	CF FILTER MEDIA	TANK SIZE	CHLORINE			BACK WASH FLOW RATE	DIMENSIONS ¹					EST. SHIP WT. LBS.
				RO FEED	COMMERCIAL	ORGANICS		TOTAL H ²	INLET I	OUTLET O	DRAIN D	WIDTH W	
H125-CH-10-1	1.25	1	10x44	2	3	1	5	51	46	46	50	11	100
H125-CH-10-1.5	1.25	1.5	10x54	3	4.5	1.5	5	63	57	57	58	11	110
H125-CH-13-2	1.25	2	13x54	4	6	2	9	63	57	57	58	14	160
H125-CH-14-3	1.25	3	14x65	6	9	3	10	74	68	68	69	15	220
H125-CH-16-4	1.25	4	16x65	8	12	4	15	74	67	70	68	17	325
H125-CH-18-5	1.25	5	18x65	10	15	5	18	76	68	71	69	19	345
H125-CH-21-6	1.25	6	21x62	12	18	6	25	72	65	67	67	22	380
H150-CH-14-3	1.5	3	14x65	6	9	3	10	74	68	69	70	15	225
H150-CH-16-4	1.5	4	16x65	8	12	4	15	74	68	69	70	17	245
H150-CH-18-5	1.5	5	18x65	10	15	5	18	76	69	70	71	19	355
H150-CH-21-6	1.5	6	21x62	12	18	6	25	72	65	67	67	22	405
H150-CH-24-8	1.5	8	24x72	16	24	8	30	82	75	76	77	25	630
H200M-CH-14-3	2	3	14x65	6	9	3	10	78	69	69	78	15	240
H200M-CH-16-4	2	4	16x65	8	12	4	15	78	69	69	78	17	350
H200M-CH-18-5	2	5	18x65	10	14	5	18	80	71	71	80	19	370
H200M-CH-21-6	2	6	21x62	12	18	6	25	80	71	71	80	22	435
H200M-CH-24-8	2	8	24x72	16	24	8	30	88	79	79	88	25	655
H200M-CH-30-15	2	15	30x72	30	45	15	50	89	80	80	89	31	915
H200-CH-24-8 ³	2	8	24x72	16	24	8	30	89	83	87	85	25	710
H200-CH-30-15 ³	2	15	30x72	30	45	15	50	86	80	84	82	31	915
H200-CH-36-20 ³	2	20	36x72	40	60	20	70	87	81	85	83	37	1120
H200-CH-42-30 ³	2	30	42x72	60	90	30	95	105	98	102	101	43	1400
H300-CH-36-20 ³	3	20	36x72	40	60	20	70	104	96	96	100	37	1220
H300-CH-42-30 ³	3	30	42x72	60	90	30	95	109	102	102	105	47	1330
H300-CH-48-40 ³	3	40	48x72	80	120	40	125	102	102	102	105	47	1740
H300-CH-54-45 ³	3	45	54x60	90	135	45	160	93	85	85	89	51	2700

¹All dimensions are ± 1"

²Allow additional 12" for media loading

³Available in top-mount or side-mount

- Service and backwash flow rates are based on 50°F incoming water temperature.
- Operating parameters - pressure range 40-100 PSI; temperature range 40°-110°F.
- Product improvement designs are subject to change without notice

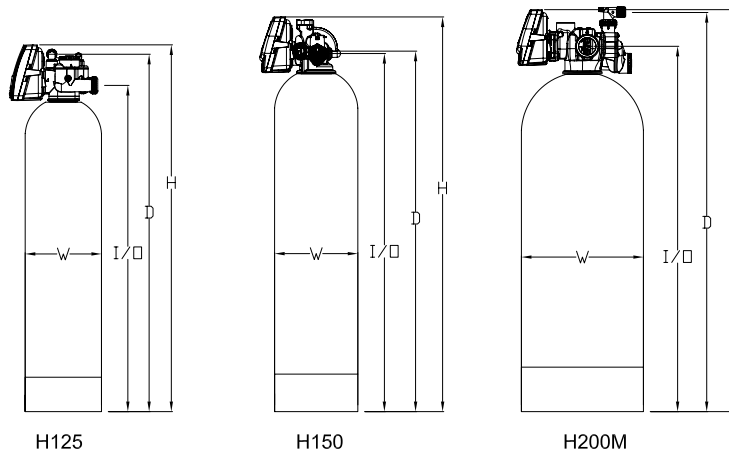
As a general rule - Lower flows produce higher quality water and a larger volume of treated water between backwashing.

Chlorine:

R.O. Feed - 2 gpm/ft³ and assumes influent Cl₂ < 3 ppm and outlet Cl₂ < 0.1 ppm. Influent turbidity < 5NTU.

Commercial - 3 gpm/ft³

Organics: 1 gpm/ft³, TOC ≤ 5 ppm as O₂ consumed. Influent turbidity < 5NTU



Consult Hellenbrand's engineering department for additional sizes, modifications or special applications.

Hellenbrand[®]

1-800-626-1417
www.hellenbrand.com

800309
8/09 - LBRY
©2009